

SPECIFICATION

1. Scope

This specification covers the SONOPRO transducer for cleaning under the atmosphere of $25\pm 3^{\circ}\text{C}$ 40 ~ 70%RH.

2. Type

Trans-C353552

Trans-C	35	35	52
Transducer	Frequency	Ceramic dia.	Emitting dia.

3. Dimensions

As per the drawing : A = 55m/m B = 52m/m

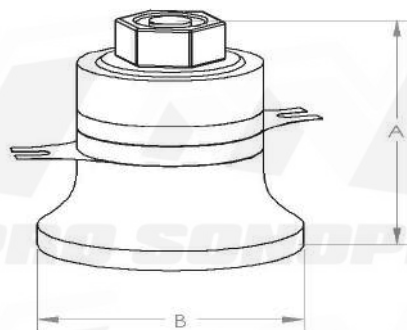
4. Electronical Specification (By Piece)

a. Resonant Frequency $F_r = 35\text{kHz}\pm 0.5\text{kHz}$

b. Resonant Resistance $Z_r < 20\Omega$

c. Capacitance $\text{CAPA} = 4.11\pm 20\% \text{ nF}$

d. $\text{tgD} (\% \text{ KHz}) < 0.5$



5. Mechanical Characteristics (Periodical in Laboratory)

a. Acoustic Power = $2.8\pm 0.5 \text{ Wcm}^2$ -- By Ohmico Ultrasonic Power Meter UMP- DT-1AV

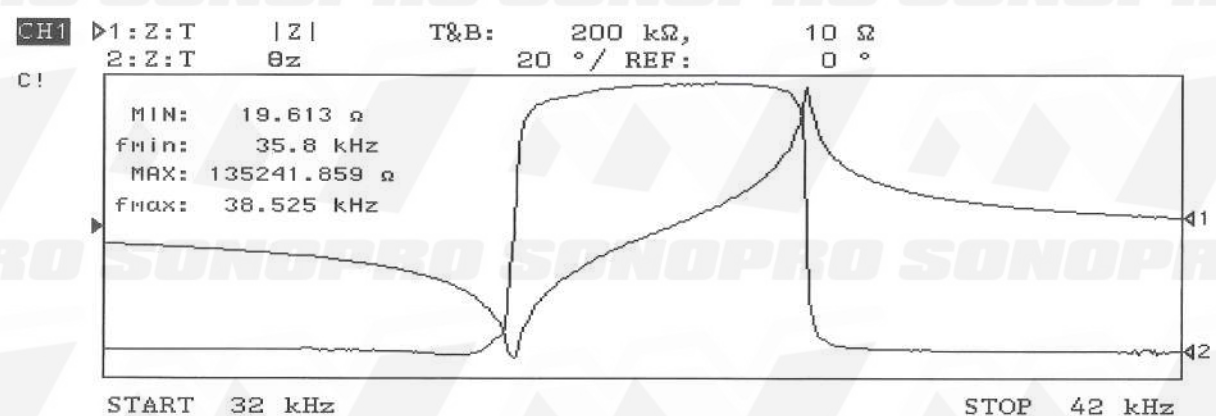
b. Amplitude $> 12\mu\text{m}$ -- Peak-to-peak in sinusoidal

6. Frequency category :

A : 34.50~39.79kHz B : 34.80~35.04kHz

C : 35.05~35.29kHz D : 35.30~40.50kHz

7. Impedance VS Frequency curve of Trans-C353552



F_r (Hz)	= 35802.8524303
Z (Ohm)	= 19.7133693695
CO (nF)	= 3.59732618543
L1 (mH)	= 34.8569807989
R1 (Ohm)	= 19.6571369171
C1 (nF)	= .567023560497
Qm1	= 398.823863056